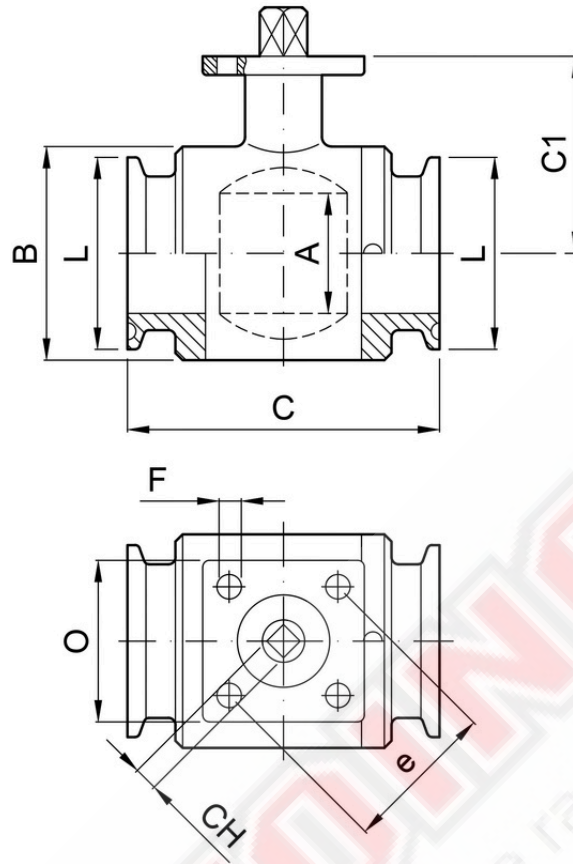




VALVOLA A SFERA "CLASSIC" PREDISPOSTA PER ATTUATORE CON ATTACCHI CLAMP "DIN2852"



VALVOLA A SFERA "CLASSIC" PREDISPOSTA PER ATTUATORE ISO 5211

	DIN	L	A	B	C	C1	ISO	e	F	O	CH	Nm*
	DN	mm	mm	mm	mm	mm	mm	mm	mm	mm	mm	
2.150.LL.02-A	10	34	10	28	65	37	F0.3	36	5.6	40	9x9	7
2.150.LL.06-A	15	34	15	35	71	40	F0.3 F0.4	36 42	5.6	40	9x9 11x11	8
2.150.LL.09-A	20	34	20	40	67	43	F0.3 F0.4	36 42	5.6	40	9x9 11x11	10
2.150.LL.12-A	25	50,4	25	50	83	53	F0.3 F0.4	36 42	5.6	40	9x9 11x11	16
2.150.LL.23-A	32	50,4	32	57	87	56	F0.3 F0.4	36 42	5.6	40	9x9 11x11	18
2.150.LL.32-A	40	50,4	36	62	92	59	F0.3 F0.4	36 42	5.6	40	9x9 11x11	20
2.150.LL.45-A	50	64	50	89	123	78	F0.4 F0.5	42 52	5.6 6.6	50	11x11 14x14	35
2.150.LL.66-A	65	90,9	66	119	151	93	F0.5 F0.7	50 70	6.6 8.7	50 70	14x14	55
2.150.LL.72-A	80	106	80	140	180	111	F0.7	70	8.7	70	17x17	111
2.150.LL.77-A	100	118,8	100	162	204	122	F0.7	70	8.7	70	17x17	122

*Max spunto di apertura in Nm

