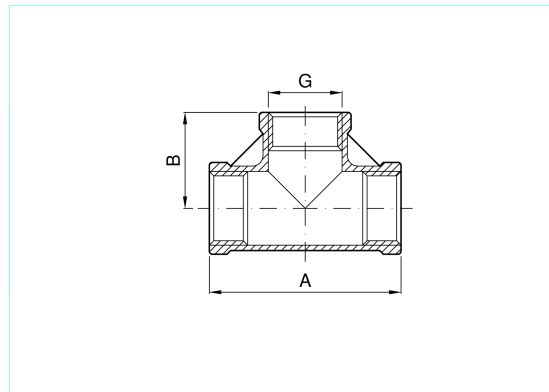


Costruzione valvole e raccorderia in acciaio inox

Raccord a “ T “ FEMELLE GAZ (ISO 4144)



| codice | G | A | B |
|---------------|-------------|-----------|-----------|
| | inch | mm | mm |
| 4.620.AA.01-Y | 1/8 | 16,5 | 19 |
| 4.620.AA.04-Y | 1/4 | 16,5 | 19 |
| 4.620.AA.05-Y | 3/8 | 20,5 | 23 |
| 4.620.AA.08-Y | 1/2 | 25 | 27 |
| 4.620.AA.10-Y | 3/4 | 31 | 32 |
| 4.620.AA.13-Y | 1 | 38,5 | 38 |
| 4.620.AA.29-Y | 1 1/4 | 48 | 45 |

| codice | G | A | B |
|---------------|-------------|-----------|-----------|
| | inch | mm | mm |
| 4.620.AA.38-Y | 1 ½ | 54 | 48 |
| 4.620.AA.50-Y | 2 | 67 | 57 |
| 4.620.AA.65-Y | 2 ½ | | |
| 4.620.AA.71-Y | 3 | | |