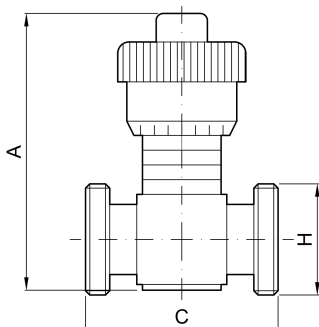


**Relief valve MALE-MALE DIN ends**


<b>codice</b>	<b>DIN</b>	<b>H</b>	<b>A</b>	<b>C</b>
	<b>mm</b>	<b>mm</b>	<b>mm</b>	<b>mm</b>
3.140.DD.12-A	25	52 x $\frac{1}{6}$	162	100
3.140.DD.23-A	32	58 x $\frac{1}{6}$	167	110
3.140.DD.32-A	40	65 x $\frac{1}{6}$	178	120
3.140.DD.45-A	50	78 x $\frac{1}{6}$	220	140
3.140.DD.66-A	65	95 x $\frac{1}{6}$	255	160
3.140.DD.72-A	80	110 x $\frac{1}{4}$	255	180
3.140.DD.77-A	100	130 x $\frac{1}{4}$	297	260

<b>codice</b>	<b>DIN</b>	<b>H</b>	<b>A</b>	<b>C</b>
	<b>mm</b>	<b>mm</b>	<b>mm</b>	<b>mm</b>