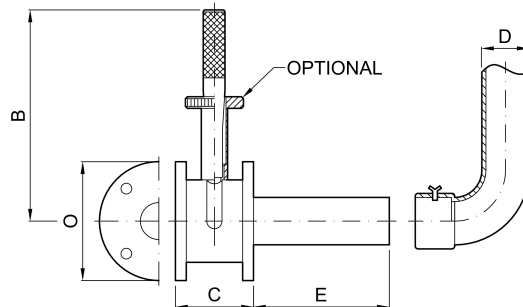


Decanter demountable bend rounds flanges ends


| codice | DN | O | B | C | D | E | |
|---------------|-----------|-----------|-----------|-----------|-----------|-----------|-----------|
| | mm | mm | mm | mm | mm | mm | kg |
| 3.221.XX.37-A | 40 | 130 | 230 | 68 | 40 | * | 3,60 |
| 3.221.XX.49-A | 50 | 140 | 236 | 74 | 52 | * | 4,40 |
| 3.221.XX.60-A | 60 | 160 | 229 | 76 | 60 | * | 5,60 |
| 3.221.XX.68-A | 70 | 160 | 235 | 94 | 70 | * | 7,10 |
| | | | | | | | |
| | | | | | | | |