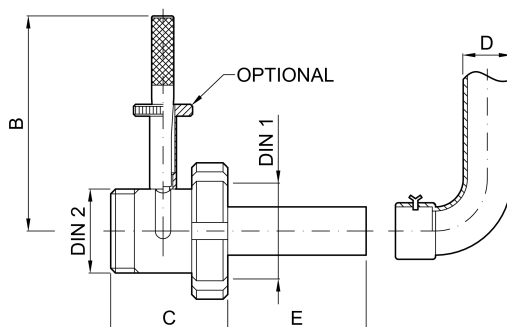


Decanter demontable bend DIN MALE - FEMALE ends



codice	DIN1 DN	DIN2 DN	D	B	C	E
			mm	mm	mm	mm
3.221.ED.38-A	50	40	40	230	71	*
3.221.ED.39-A	50	50	40	230	74	*
3.221.ED.45-A	65	50	52	236	76	*
3.221.ED.53-A	65	65	52	236	83	*
3.221.ED.66-A	80	65	70	227	99	*
3.221.ED.72-A	80	80	70	235	99	*