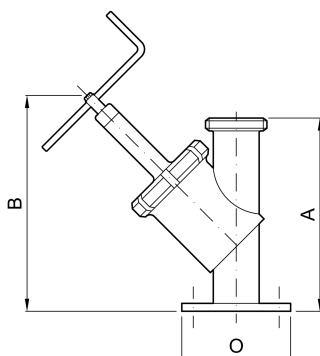


**Inclined seat valve PN6 FLANGE-MALE DIN ends**


<b>codice</b>	<b>DN</b>	<b>O</b>	<b>A</b>	<b>B</b>	
	<b>mm</b>	<b>mm</b>	<b>mm</b>	<b>mm</b>	<b>kg</b>
6.100.XD.32-A	40	130	230	270	4,10
6.100.XD.45-A	50	140	240	310	5,90
6.100.XD.62-A	65	160	310	350	9,00
6.100.XD.72-A	80	190	350	410	15,00
6.100.XD.77-A	100	210			