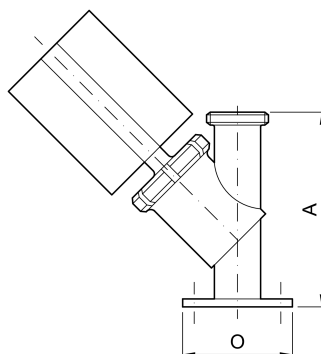


Inclined seat valve PN6 FLANGE-MALE DIN ends with actuator



codice	DN	O	A	
	mm	mm	mm	kg
6.150.XD.32-A	40	130	230	3,60
6.150.XD.45-A	50	140	240	5,10
6.150.XD.62-A	65	160	310	8,10
6.150.XD.72-A	80	190	350	13,00
6.150.XD.77-A	100	210		