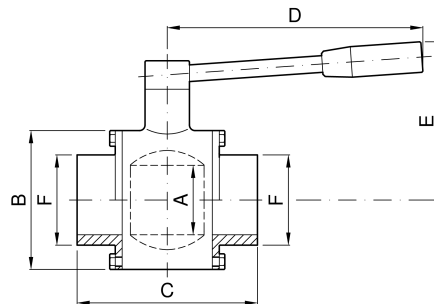


**“STAR” ball valve WELDING-WELDING “BS”ends**


| <b>codice</b> | <b>DN</b>   | <b>F</b>  | <b>A</b>  | <b>B</b>  | <b>C</b>  | <b>D</b>  | <b>E</b>  |           |
|---------------|-------------|-----------|-----------|-----------|-----------|-----------|-----------|-----------|
|               | <b>inch</b> | <b>mm</b> | <b>mm</b> | <b>mm</b> | <b>mm</b> | <b>mm</b> | <b>mm</b> | <b>kg</b> |
| 2.200.MM.11-A | 1           | 25,4      | 22        | 57        | 72        | 125       | 78        | 1,10      |
| 2.200.MM.24-A | 1 ½         | 38,1      | 36        | 75        | 92        | 125       | 83        | 1,40      |
| 2.200.MM.44-A | 2           | 50,8      | 45        | 91        | 104       | 160       | 92        | 2,70      |
| 2.200.MM.58-A | 2 ½         | 63,5      | 57        | 111       | 128       | 184       | 114       | 4,35      |
| 2.200.MM.70-A | 3           | 76,1      | 66        | 126       | 147       | 215       | 126       | 6,40      |
| 2.200.MM.76-A | 4           | 101,6     | 99        | 172       | 182       | 275       | 160       | 13,50     |
| 2.200.MM.84-A | 5           | 127       | 120       | 205       | *         | *         | *         | *         |